

FPT / FPM Series Panel PC / Monitor

Features :

- ◆ True Flat with Stainless Front Bezel, Fanless Design
- ◆ Intel Atom/Elkhart/Whiskey/Alder/Raptor/Meteor Lake Processor
- ◆ Support both Resistive and Projected Capacitive Touch
- ◆ IP65 on Front for Water & Dust, Full IP65(optional)
- ◆ VESA/Clamp Mount or Stand for Various Demands
- ◆ Support WiFi, Bluetooth, Scanner, RFID, MSR, etc
- ◆ Industrial Factory Automation or any Harsh Environment
- ◆ This model/size also comes in MONITOR-ONLY Version



Specification	Intel Atom Celeron Processor Series	Intel Core-i ULV Processor Series
LCD		
Display Type	10"~23.8" TFT LCD	12"~23.8" TFT LCD
Max. Colors	16.7M	16.7M
Luminance	250 cd/m2 ~ 1500 cd/m2	250 cd/m2 ~ 1500 cd/m2
Viewing Angle	160° ~178° H, 160° ~178° V	160° ~178° H, 160° ~178° V
LED Backlight (Hours)	30000 ~ 70000	30000 ~ 70000
TOUCH SCREEN		
Type	Resistive or Projected Capacitive Touch	Resistive or Projected Capacitive Touch
Touch Screen	Single-point Resistive, 10-points PCAP	Single-point Resistive, 10-points PCAP
SYSTEM		
Processor	Intel Atom Celeron Processor Bay Trail J1900, 10W Elkhart Lake J6412/J6413, x6413E(WT), 10W Alder Lake N100/N97, i3-N305, 6~15W	Intel Core-i ULV Processor Kaby(7 th) : Core i3-7100U, i5-7300U, i7-7600U, 15W Whiskey(8 th) : Core i3-8145UE, i5-8365UE, i7-8665UE, 15W Raptor(13 th) : Core i3-1315UE, i5-1335UE, i7-1365UE, 28W Meteor(14 th) : Core Ultra 7-165U/155U, Ultra 5-135U/125U, 15W to 28W
System Memory	DDR3L or DDR4 SO-DIMM up to 16G or 32G	DDR4 or DDR5 SO-DIMM up to 32G or 64G
Chipset	Integrated	Integrated
Network	2 x LAN Gigabit Ethernet	2 x LAN Gigabit Ethernet
I/O Port	2xUSB2.0, 2xUSB3.0, 2xRS-232, 1xRS-232/422/485 1xVGA, 1xHDMI, 1xDC-in Jack	4xUSB3.0, 2xUSB2.0, 2xRS-232, 1xRS-232/422/485 1xHDMI, 1xDP & 1xVGA(optional), 1xDC-in Jack
Watchdog Timer	256-level Watchdog Timer	256-level Watchdog Timer
System Security	TPM (optional)	TPM
Storage	1xSATA 3.0	1xSATA 3.0
Expansion Slot	1x mini-PCIe, 1xM.2-B	1xM.2-M, 1xM.2-B, 1xM.2-E
Audio	1 or 2 x 2W speaker	1 or 2 x 2W speaker
OS Support	Windows 10 or 11 IoT Enterprise 64-bit, Linux, Ubuntu 20.04	Windows 10 or 11 IoT Enterprise 64-bit, Linux, Ubuntu 20.04
POWER REQUIREMENT		
Power Input		DC 12 to 24VDC(optional 9~36V)
Power Adapter	DC 12 to 24VDC(optional 9~36V)	AC to DC 12/8A, 96W adapter
MECHANICAL		
Mounting		VESA 75x75 or 100x100 mm
Dimension	VESA 75x75 or 100x100 mm	Based on LCD size
Weight	Based on LCD size	Based on LCD size
ENVIRONMENT		
Operating Temperature		0°C ~ +50°C (32°F ~122°F)
Storage Temperature	0°C ~ +50°C (32°F ~122°F)	-20°C ~ +60°C (-4°F ~ 140°F)
Storage Humidity	-20°C ~ +60°C (-4°F ~ 140°F)	10% ~ 90%, non-condensing
	10% ~ 90%, non-condensing	
Vibration Resistance	Sine Frequency : 10~500Hz, Acceleration : 3G, Sweeping Rate : 1 Oct/min.	Sine Frequency : 10~500Hz, Acceleration : 3G, Sweeping Rate : 1 Oct/min, Test : X/Y/Z axis, 30 min/axis
EMC	Test : X/Y/Z axis, 30 min/axis	CE, FCC Class A
Ingress Protection	CE, FCC Class A	IP65 on Front, Full IP65(optional)
OPTION		
Peripherals	IP65 on Front, Full IP65(optional)	WiFi, Bluetooth, Scanner, RFID, MSR, etc

WiFi, Bluetooth, Scanner, RFID, MSR, etc

Applications



■ Industrial Automation



■ Public & Commercial Service



■ Healthcare & Service



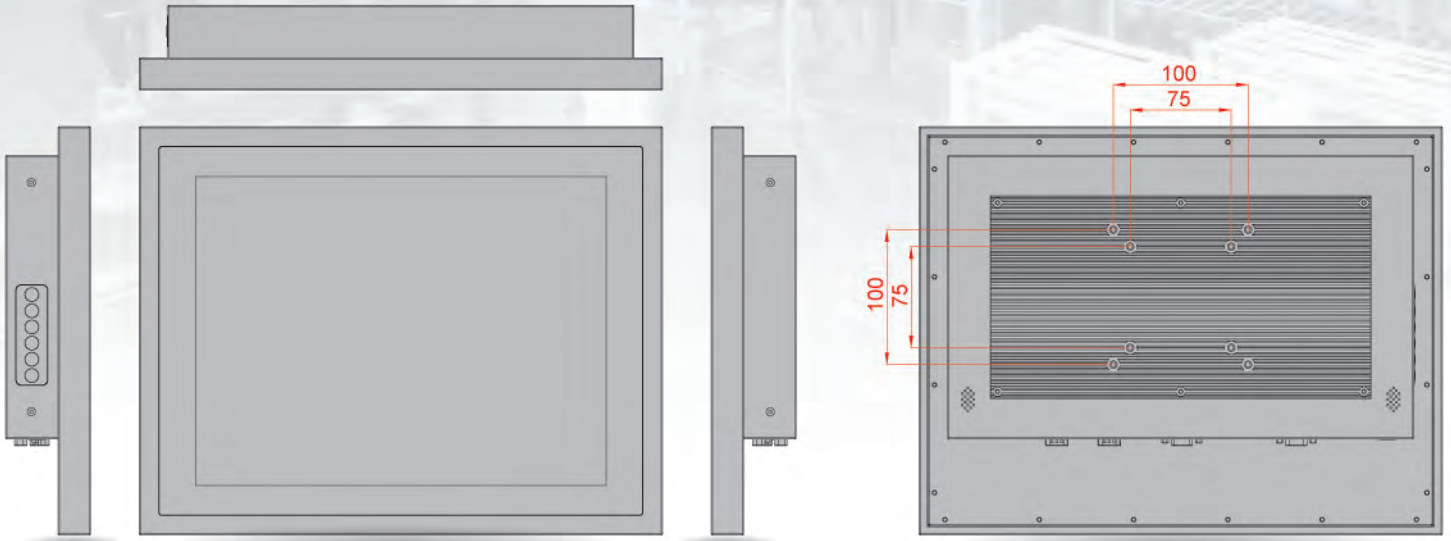
■ Food & Beverage Industry



PURITRON
ISO 9001 Certified

General Mechanical Drawing

Based on LCD size



I/O Port

Open Connection-I/O

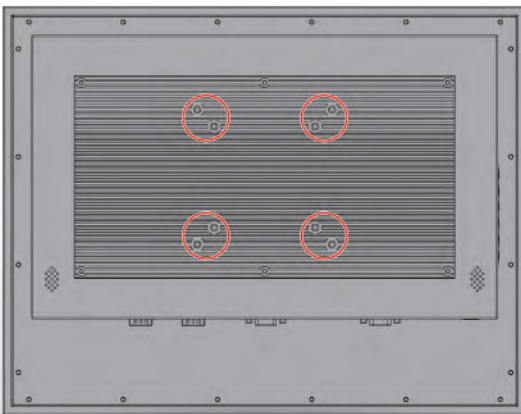


Sealed Connection-M12

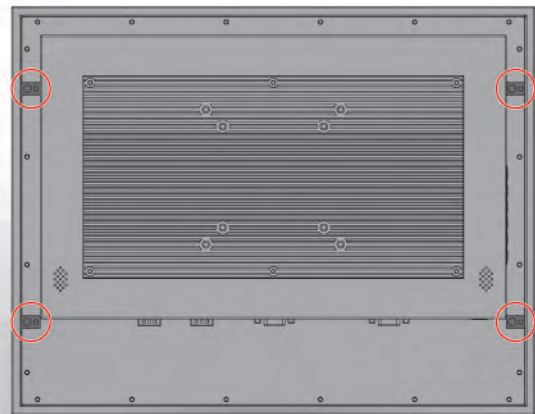


Wall-Mount Type

VESA



Clamp



The company reserves the right to modify specifications without prior notice.

Puritron International Inc.

4F., No.5, Ln. 45, Baoxing Rd., Xindian Dist.,
New Taipei City 23145, Taiwan, R.O.C.

www.puritron.com.tw
+886-2-2914-7298

info@puritron.com.tw
+886-2-2915-6795